



## 6800 Series

Gauge Valves



### Features

- Corrosion-resistant bar stock 316 stainless steel bodies
- Packing below stem threads prevents contamination and wash away of thread lubricants to assure long valve life
- Hardened 17-4 PH 2-piece, non-rotating stem point minimizes seat galling and provides an excellent metal-to-metal seat for positive shutoff
- Low profile bonnet assembly and large diameter stem reduces damage to bonnet and stem assembly
- Roll pin locks bonnet in the valve body to prevent accidental removal
- Choice of 5 $\frac{3}{8}$ " long body for standard process use or 7 $\frac{3}{8}$ " body for insulated piping applications
- Three outlets meet individual gauge requirements
- Polyethylene cap protects stem and bonnet from external damage
- Rugged large handle provides easy grip and control
- All models are stamped with maximum operating pressures on valve body
- High temperature packing is available on special order
- Special High Tolerance NPT Thread

### Technical Data

<b>Body Material</b>	316 stainless steel
<b>Maximum Operating Pressure</b>	• 6000 psig @ -65° to +200° F (414 bar @ -54° C to +93° C) • 3000 psig @ +450° F (207 bar @ +232° C)
<b>Operating Temperature Range</b>	-65° F to +450° F (-54° C to +232° C)
<b>Orifice Sizes</b>	6801L8Y: 0.156" (3.96mm) All others: 0.187" (4.75mm)

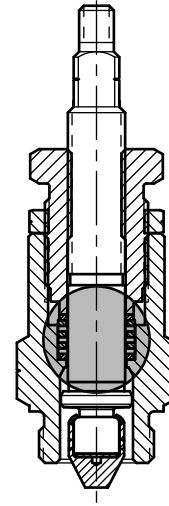
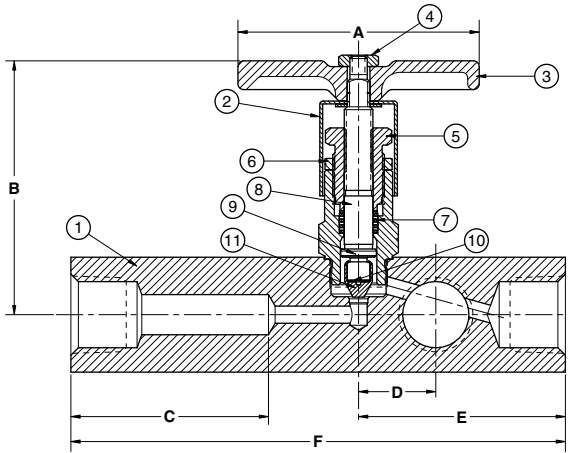
gauge valves

### HOKE Incorporated

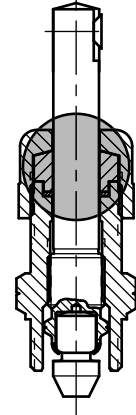
405 Centura Court • PO Box 4866 (29305) • Spartanburg, SC 29303  
Phone (864) 574-7966 Fax (864) 587-5608  
www.hoke.com • sales@hoke.com

# 6800 Series

## Materials of Construction



Dyna-Pak® Packing



TFE Packing  
(6801L8Y only)

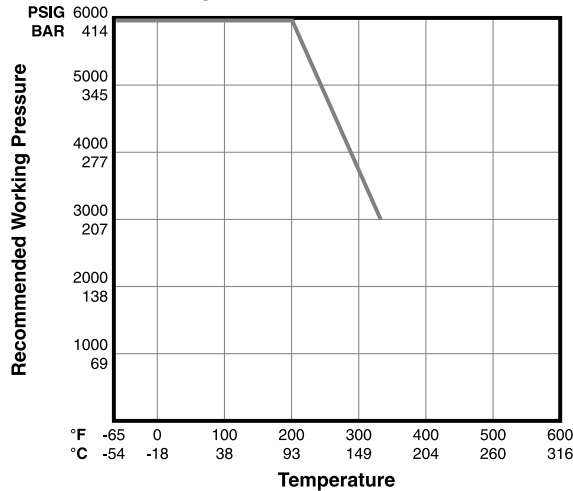
Part	316 Stainless Steel Models	
1	Body	316 stainless steel
2	Housing	316 stainless steel
3	Handle	303 stainless steel
4	Hex nut	18-8 stainless steel
5	Packing nut	XM-28 stainless steel
6	Lock nut	316 stainless steel
7	Packing*	Dyna-Pak®
8	Stem	316 stainless steel
9	Retaining ring	316 stainless steel
10	Disc	17-7 PH stainless steel
11	Stem point	17-4 PH stainless steel

### Dimensions

Model Number		A	B	C	D	E	F
6801L8Y	inch	1¼	2½	1	⅞	1¾	3¼
	mm	32	64	25	14	44	83
6802L8Y	inch	2⅝	3	2⅝	2⅝	2¼	5⅝
	mm	67	75	55	21	57	136
6803L128Y	inch	2⅝	3	2⅝	2⅝	2¼	5⅝
	mm	67	75	55	21	57	136
6805L128Y	inch	2⅝	3	4⅝	2⅝	2¼	7⅝
	mm	67	75	106	21	57	188

\* Model 6801L8Y uses a single-piece molded Teflon® packing system.

### Pressure vs. Temperature



### How to Order: Standard Valves

Connections		Order by Part Number 316 Stainless Steel	Body Length	
Inlet	Outlet		Inch	mm
½" NPT male	½" NPT female	6801L8Y*	3¼	83
½" NPT male	½" NPT female (3x)	6802L8Y	5⅝	136
½" NPT female	½" NPT female (3x)	6802F8Y	5⅝	136
¾" NPT male	½" NPT female (3x)	6803L128Y	5⅝	136
¾" NPT male	½" NPT female (3x)	6805L128Y	7⅝	188

\* Furnished with bleed plug drilled in body  
Model 6801L8Y uses a single-piece molded Teflon® packing system

#### FOR YOUR SAFETY

IT IS SOLELY THE RESPONSIBILITY OF THE SYSTEM DESIGNER AND USER TO SELECT PRODUCTS SUITABLE FOR THEIR SPECIFIC APPLICATION REQUIREMENTS AND TO ENSURE PROPER INSTALLATION, OPERATION AND MAINTENANCE OF THESE PRODUCTS. MATERIAL COMPATIBILITY, PRODUCT RATINGS AND APPLICATION DETAILS SHOULD BE CONSIDERED IN THE SELECTION. IMPROPER SELECTION OR USE OF PRODUCTS DESCRIBED HEREIN CAN CAUSE PERSONAL INJURY OR PROPERTY DAMAGE.

Dyna-Pak® is a registered trademark of HOKE Incorporated.  
Teflon® is a registered trademark of the DuPont Company.