

## COM-2P Series

Crossover Manifold Regulator System



The COM-2P employs two discrete single stage PR-1-type regulators built into a single body. These regulators serve as the primary and secondary changeover regulators with the common outlet port connected to a single PR-1 Series regulator. This allows for the non-stop delivery of gas from bottles with only a 0.01% change in outlet pressure as the inlet pressure varies. The hardware comes mounted in an attractive 300 series stainless steel panel that is suitable for surface mounting near the bottles. Labels are permanently silk-screened on the face of the panel for easy identification of process ports and gauges. The unit comes complete with pressure gauges and shutoff valves. Suitable for gases and liquids.

### Features & Specifications

- Complete panel system including gauges and vent valves for easy installation
- Allows changing of cylinders during operation\*
- Available in both stainless steel and brass (other materials also available)
- Steady outlet pressure during cylinder depletion
- 0.01% pressure control accuracy
- Inlet pressures to 6000 psig
- Outlet pressure ranges 0–10 psig, 0–25 psig, 0–50 psig, 0–100 psig or 0–250 psig
- Changeover pressures: 15-250 psig
- Cv flow coefficients 0.025, 0.06, 0.2, 0.5
- All connections: 1/4" FNPT
- 20 micron sintered inlet filters
- Teflon®-lined stainless steel diaphragm
- Operating temperatures: –40° F to +500° F (–40° C to +260° C)

\* Installation of shut off valves in each inlet port is recommended for complete isolation during change out of cylinders.

### GO Regulator

405 Centura Court • PO Box 4866 (29305) • Spartanburg, SC 29303  
Phone (864) 574-7966 Fax (864) 574-5608  
www.goreg.com • sales@goreg.com

pressure regulators

# COM-2P Series

## How to Order

Standard items in bold

**COM2 - 1 A P P J 1 1 C B**

### BODY MATERIAL

- 1** 316L stainless steel
- 2 Brass
- 4 Monel®

### SEAT MATERIAL

- A** Tefzel®
- B** CF Teflon®
- C** Polyimide
- H** PCTFE (formerly Kel-F® 81)
- I** High density Teflon®
- Q** PEEK™

### FLOW COEFFICIENT (Cv)

- 3** 0.06
- 5** 0.2
- C** 0.025
- H** 0.5

### PANEL TYPE

- P** Deluxe panel

### OUTPUT REGULATOR PORT CONFIGURATION

- B** B style
- L** L style
- E** E style

### OUTPUT REGULATOR OUTPUT RANGE

- C** 0-10 psig
- D** 0-25 psig
- E** 0-50 psig
- G** 0-100 psig
- I** 0-250 psig

### OUTPUT REGULATOR PRESSURE GAUGES

- 1** With gauges
- 2** Less gauges
- 3** Customer-supplied

### COMBO REGULATOR PRESSURE GAUGES

- 1** With gauges
- 2** Less gauges
- 3** Customer-supplied

### COMBO REGULATOR SET POINT

- J** 150 psig over output regulator range

For a full list of options, visit the selection matrix for this product on [www.goreg.com](http://www.goreg.com)

## Maximum Temperature & Operating Inlet Pressures

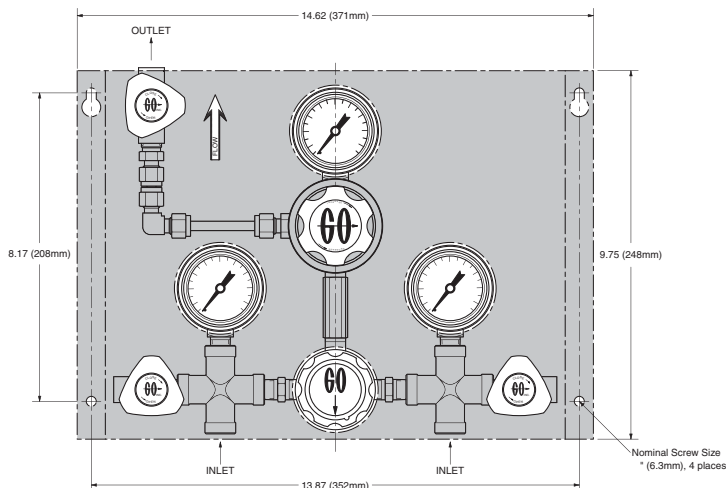
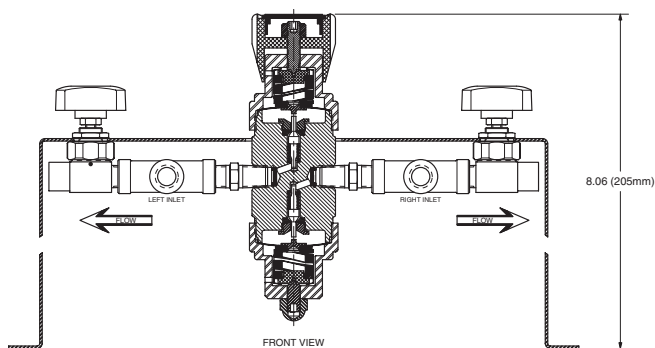
SEAT MATERIAL	MAXIMUM TEMPERATURE*	MAXIMUM OPERATING INLET PRESSURE
Tefzel®	150° F (66° C)	@ 3600 psig (24.82 MPa)
High density Teflon®	150° F (66° C)	@ 3600 psig (24.82 MPa)
PCTFE (formerly Kel-F® 81)	175° F (80° C)	@ 6000 psig (41.37 MPa)
Polyimide	500° F (260° C)	@ 3600 psig (24.82 MPa)
Polyimide	175° F (80° C)	@ 6000 psig (41.37 MPa)
PEEK™	500° F (260° C)	@ 3600 psig (24.82 MPa)
PEEK™	175° F (80° C)	@ 6000 psig (41.37 MPa)

\* Temperatures in excess of 175° F (80° C) require the use of a metal knob or the tamper-proof option.

NOTE: The choices above represent an abbreviated list of the more commonly ordered options. For a complete listing of all available options, please see the Selection Wizard on the GO website at [www.goreg.com](http://www.goreg.com) or contact the factory.

## Outline & Mounting Dimensions

Weight = 13.4 lbs (6.09 kg)



Teflon® and Tefzel® are registered trademarks of the DuPont Company.  
 Monel® is a registered trademark of Special Metals Corporation.  
 Kel-F® is a registered trademark of 3M Company.  
 PEEK™ is a trademark of Victrex PLC.