

# GO REGULATOR

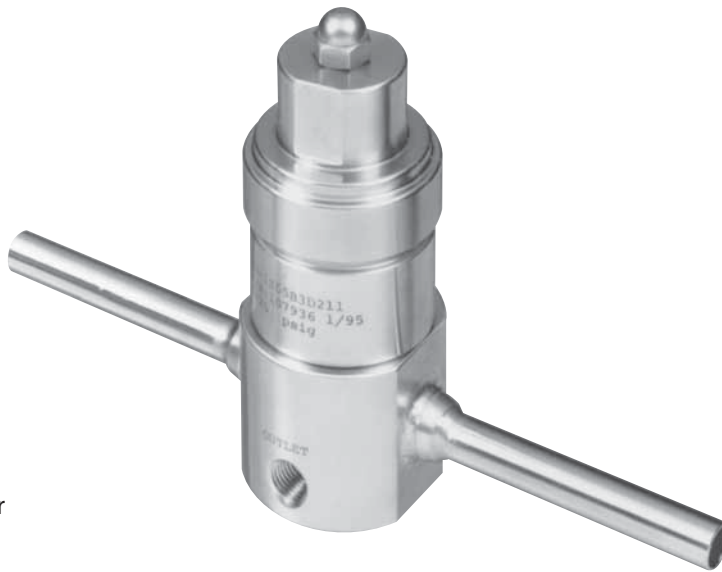
## HPR-2 Series

Steam Heated Regulators

### Introduction

The HPR-2 Series heated pressure regulator is designed to supply heat to samples entering instrumentation systems. It can be used to preheat liquids, to prevent condensation of gases or to vaporize liquids prior to gas analysis.

The modular design of the HPR-2 consists of heat exchanger and pressure control sections. The pressure control section is patterned after the time-proven design of the PR-1 pressure reducing regulator and provides the same excellent outlet pressure stability. The heat exchanger section is made up of a body and heat exchange element. The heat exchange element uses GO Regulator's unique spiral-wrapped screen as the heat exchanger surface. This screen has up to 100 square inches of heat transfer area and precise design forces all sample flow to pass through the element.



pressure regulators

### Typical Applications

#### Analytical process sample conditioning systems:

- Petrochemical refineries
- Chemical production facilities
- Pilot plants (chemical & petrochemical)
- LNG loading and off-loading points
- Natural gas pipeline sampling

### Technical Data

CONSTRUCTION	316L stainless steel
OUTLET PRESSURES	0-10, 0-25, 0-50, 0-100, 0-250, and 0-500 psig
INLET PRESSURE	up to 6000 psig at 380° F (193° C)
OPERATING TEMPERATURE	up to 550° F (285° C)
C <sub>v</sub> COEFFICIENTS	0.06, 0.025, 0.2
INLET CONNECTIONS	1/8" FNPT
OUTLET CONNECTIONS	1/4" FNPT

### Features & Benefits

- Optional Hastelloy® C and Monel®
- Electropolished body with better than 25 Ra finish in diaphragm cavity for an optimal sealing surface
- Bubble-tight shutoff
- Modular pressure control and heat exchanger assemblies allow for easy maintenance.
- Unique spiral-wrapped heat exchange element provides up to 100 square inches of heat transfer area.

### GO Regulator

405 Centura Court • PO Box 4866 (29305) • Spartanburg, SC 29303  
Phone (864) 574-7966 Fax (864) 574-5608  
www.goreg.com • sales@goreg.com

# HPR-2 Series

## How to Order

Standard items in bold

**H2 - 1 Z 5 5 Q 3 C 1 1 1 4**

### BODY MATERIAL

- 1** 316L stainless steel
- 4** Monel®

### PORT CONFIGURATION

- Z** One inlet port, one outlet port
- For more configurations, see page 32

### TEMPERATURE RANGE / HEATING TYPE

- 5** Steam

### HEATER WATTAGE

- 5** Steam

### SEAT MATERIAL

- A** Tefzel®
- B** CF Teflon®
- C** Polyimide
- H** PCTFE (formerly Kel-F®)
- Q** PEEK™

### FLOW COEFFICIENT (Cv)

- 3** 0.06

### OPTIONS

- 4** 6000 psig inlet steam heated (1-pc assembly)

### CAP ASSEMBLY

- 1** Tamper-proof, standard, stainless steel

### HEATER BLOCK PORTING

- 1** Standard block
  - 2** Extra outlet block
- For more blocks, see pages 34-35

### HEATER BLOCK TYPE

- 1** Steam

### OUTLET RANGE

- C** 0-10 psig
- D** 0-25 psig
- E** 0-50 psig
- G** 0-100 psig
- I** 0-250 psig
- J** 0-500 psig

NOTE: The choices above represent an abbreviated list of the more commonly ordered options. For a complete listing of all available options, please see the Selection Wizard on the GO website at [www.goreg.com](http://www.goreg.com) or contact the factory.

## Maximum Temperature & Operating Inlet Pressures

### HPR-2 Steam 2-piece Assembly

(Heater block and regulator body separate)

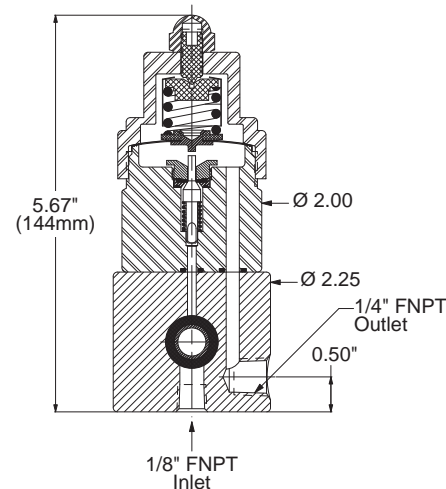
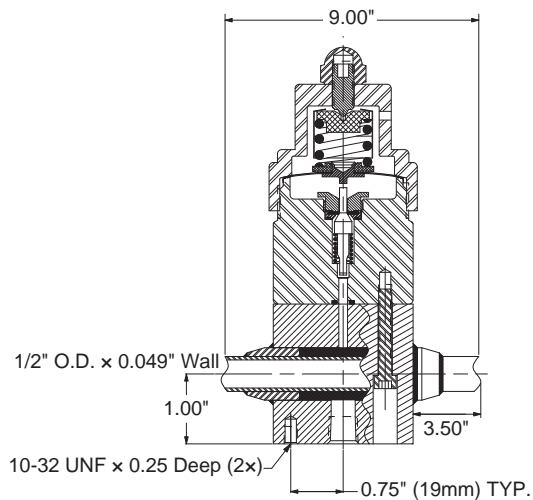
SEAT MATERIAL	MAXIMUM PRESSURE @	MAXIMUM OPERATING INLET PRESSURE
Tefzel®	Up to 175° F (80° C) @	3600 psig (24.82 MPa)
	176° F to 300° F (80° C to 148° C) @	1000 psig (6.90 MPa)
	301° F to 380° F (148° C to 193° C) @	400 psig (2.76 MPa)
High density Teflon®	Up to 175° F (80° C) @	3600 psig (24.82 MPa)
	176° F to 300° F (80° C to 148° C) @	1000 psig (6.90 MPa)
	301° F to 380° F (148° C to 193° C) @	400 psig (2.76 MPa)
PCTFE (formerly Kel-F®)	Up to 380° F (193° C) @	3600 psig (24.82 MPa)
Polyimide	Up to 380° F (193° C) @	3600 psig (24.82 MPa)
PEEK™	Up to 380° F (193° C) @	3600 psig (24.82 MPa)

### HPR-2 Steam 1-piece Assembly

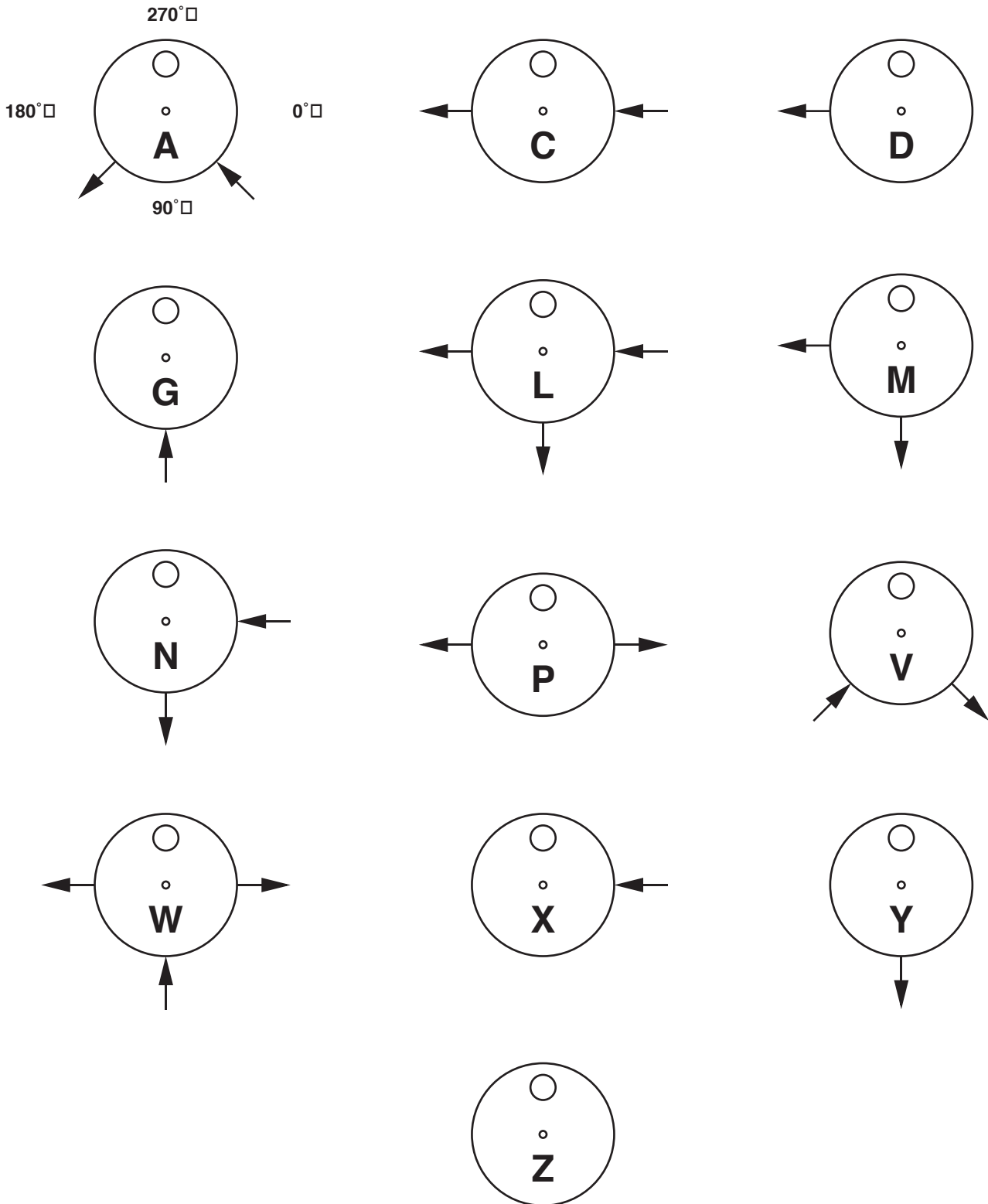
(Integral heater block and regulator)

SEAT MATERIAL	MAXIMUM PRESSURE @	MAXIMUM OPERATING INLET PRESSURE
Tefzel®	Up to 175° F (80° C) @	3600 psig (24.82 MPa)
	176° F to 300° F (80° C to 148° C) @	1000 psig (6.90 MPa)
	301° F to 380° F (148° C to 193° C) @	400 psig (2.76 MPa)
High density Teflon®	Up to 175° F (80° C) @	3600 psig (24.82 MPa)
	176° F to 300° F (80° C to 148° C) @	1000 psig (6.90 MPa)
	301° F to 380° F (148° C to 193° C) @	400 psig (2.76 MPa)
PCTFE (formerly Kel-F®)	Up to 380° F (193° C) @	3600 psig (24.82 MPa)
Polyimide	Up to 380° F (193° C) @	6000 psig (24.82 MPa)
PEEK™	Up to 380° F (193° C) @	6000 psig (24.82 MPa)

## Outline & Mounting Dimensions

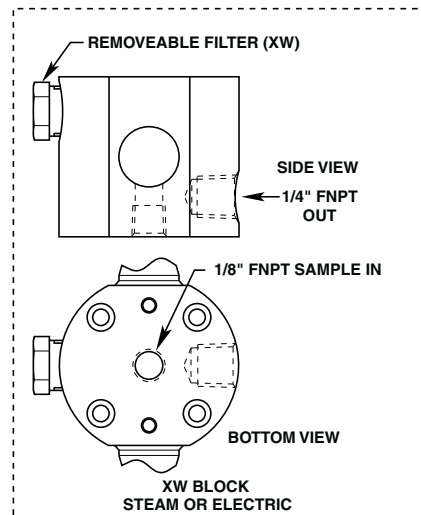
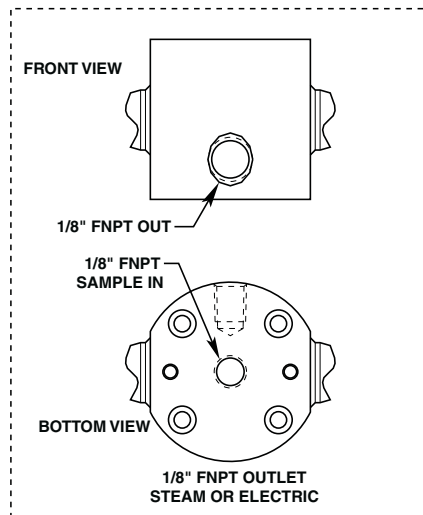
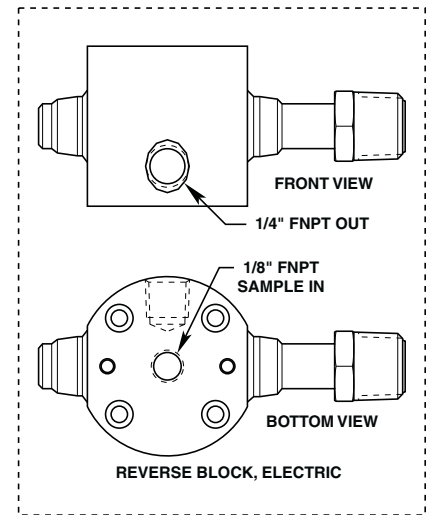
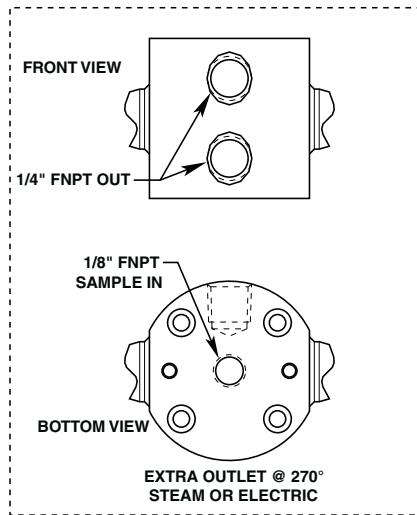
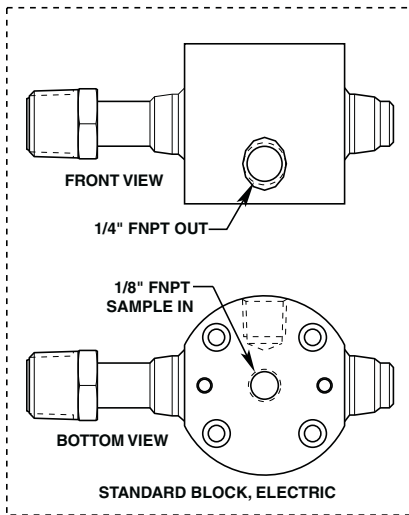
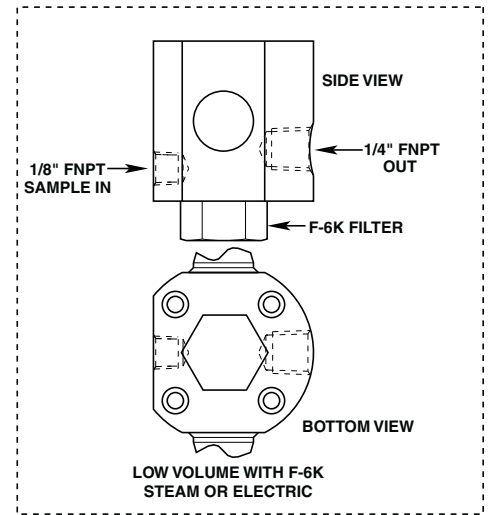
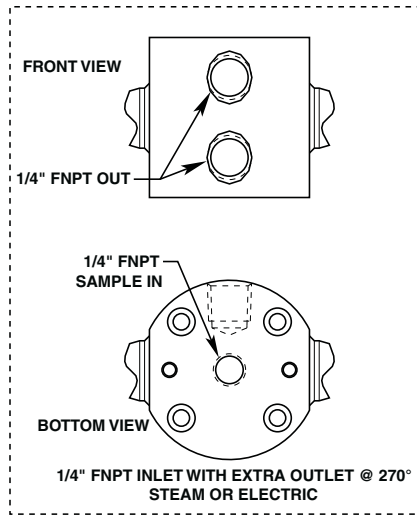
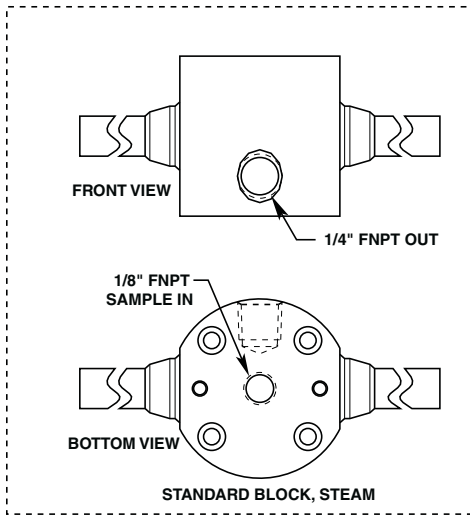


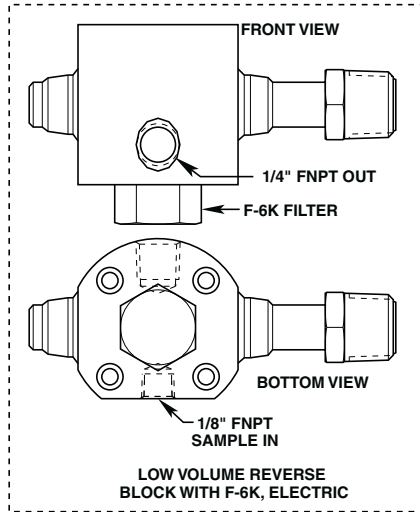
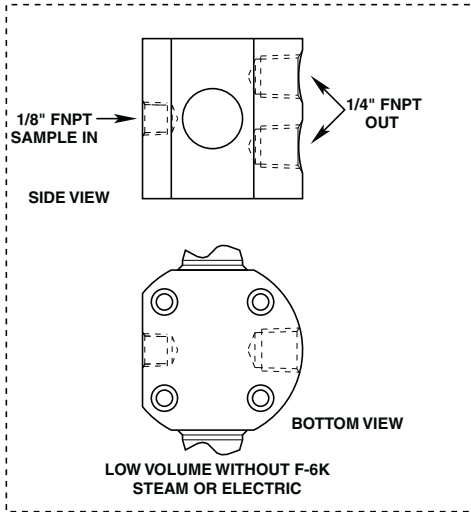
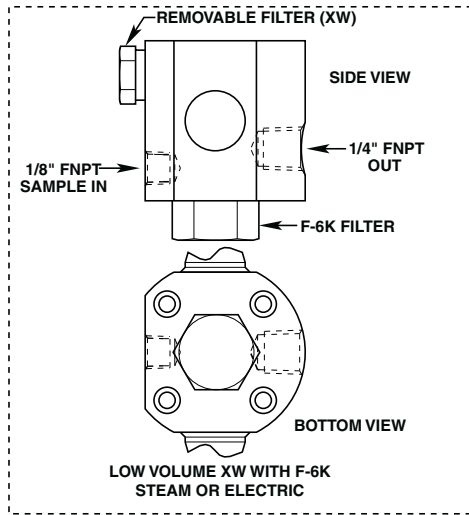
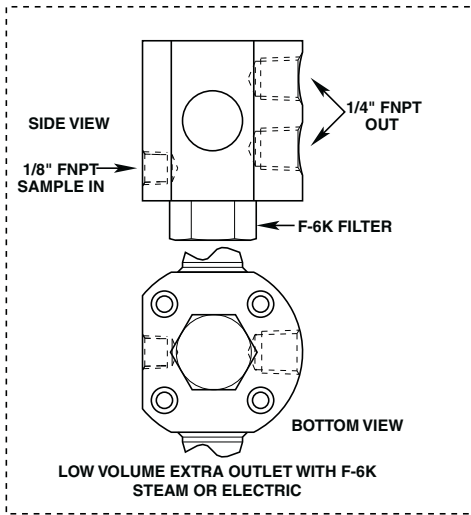
# Porting Configurations (Pressure Regulator Body) for HPR-2 Steam & Electric and HPR-2XW Steam & Electric Series



Location of ports from top view. Arrow pointing toward body is inlet. Arrow pointing away from body is outlet.

# Heater Block Configurations for HPR-2 Steam & Electric and HPR-2XW Steam & Electric Series





## ***For Your Safety***

---

It is solely the responsibility of the system designer and user to select products suitable for their specific application requirements and to ensure proper installation, operation, and maintenance of these products. Material compatibility, product ratings and application details should be considered in the selection. Improper selection or use of products described herein can cause personal injury or property damage.

*Hastelloy® is a registered trademark of Haynes International, Inc.  
Monel® is a registered trademark of Special Metals Corporation.  
Teflon® and Tefzel® are registered trademarks of the DuPont Company.  
Kel-F® is a registered trademark of 3M Company.  
PEEK™ is a trademark of Victrex PLC.  
Viton® is a registered trademark of DuPont Dow Elastomers.*