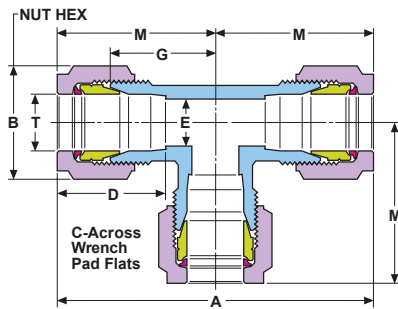




Metric fitting shown



Union Tee: TTT connects fractional tubes

| Part Number* | T Tube O.D. | Dimensions — inches | | | | | | |
|--------------|-------------|---------------------|------------|---------|------|-------|------|------|
| | | A | B Hex Flat | C | D | E min | G | M |
| 1TTT [] | 1/16 | 1.56 | 5/16 | 7/16 | .41 | .05 | .56 | .78 |
| 2TTT [] | 1/8 | 1.94 | 7/16 | 7/16 | .56 | .09 | .66 | .97 |
| 3TTT [] | 3/16 | 2 | 1/2 | 7/16 | .59 | .13 | .69 | 1 |
| 4TTT [] | 1/4 | 2.04 | 9/16 | 7/16 | .64 | .19 | .72 | 1.05 |
| 6TTT [] | 3/8 | 2.38 | 11/16 | 1/2 | .72 | .30 | .84 | 1.19 |
| 8TTT [] | 1/2 | 2.88 | 7/8 | 11/16 | .97 | .42 | .97 | 1.44 |
| 10TTT [] | 5/8 | 2.94 | 1 | 13/16 | 1 | .50 | 1.03 | 1.47 |
| 12TTT [] | 3/4 | 3.19 | 1 1/8 | 1 | 1 | .66 | 1.16 | 1.59 |
| 14TTT [] | 7/8 | 3.44 | 1 1/4 | 1 1/4 | 1.06 | .72 | 1.28 | 1.72 |
| 16TTT [] | 1 | 3.75 | 1 1/2 | 1 1/4 | 1.31 | .88 | 1.31 | 1.88 |
| 20TTT [] | 1 1/4 | 5.24 | 1 7/8 | 1 11/16 | 1.53 | 1.09 | 1.75 | 2.62 |
| 24TTT [] | 1 1/2 | 6.14 | 2 1/4 | 2 | 1.78 | 1.34 | 2 | 3.07 |
| 32TTT [] | 2 | 8.44 | 3 | 2 3/4 | 2.50 | 1.81 | 2.75 | 4.22 |

Union Tee: TTT/MM connects metric tubes

| Part Number* | T Tube O.D. | Dimensions — mm | | | | | | |
|--------------|-------------|-----------------|------------|------|------|-------|------|------|
| | | A | B Hex Flat | C | D | E min | G | M |
| 3TTT [JMM] | 3 | 49.4 | 11.1 | 11.1 | 14.3 | 2.2 | 16.8 | 24.7 |
| 4TTT [JMM] | 4 | 50.7 | 12.7 | 11.1 | 15.1 | 2.2 | 17.5 | 25.4 |
| 6TTT [JMM] | 6 | 53.3 | 14.3 | 11.1 | 16.3 | 3.8 | 18.3 | 26.7 |
| 8TTT [JMM] | 8 | 57.2 | 15.9 | 12.7 | 16.7 | 5.8 | 20.6 | 28.6 |
| 10TTT [JMM] | 10 | 65.2 | 19.1 | 17.5 | 17.5 | 7.9 | 24.6 | 32.6 |
| 12TTT [JMM] | 12 | 73.2 | 22.2 | 17.5 | 24.6 | 9.9 | 24.6 | 36.6 |
| 14TTT [JMM] | 14 | 71.1 | 23.8 | 20.7 | 22.2 | 11.9 | 26.2 | 35.6 |
| 15TTT [JMM] | 15 | 72.9 | 23.8 | 20.7 | 22.2 | 12.7 | 26.2 | 36.5 |
| 16TTT [JMM] | 16 | 74.6 | 25.4 | 20.7 | 25.0 | 12.7 | 26.2 | 37.3 |
| 18TTT [JMM] | 18 | 78.9 | 28.6 | 25.4 | 25.4 | 15.8 | 29.5 | 39.4 |
| 20TTT [JMM] | 20 | 92.7 | 31.8 | 31.8 | 31.0 | 16.7 | 32.5 | 46.4 |
| 22TTT [JMM] | 22 | 87.4 | 31.8 | 31.8 | 27.0 | 17.9 | 32.5 | 43.7 |
| 25TTT [JMM] | 25 | 95.4 | 38.1 | 31.8 | 33.3 | 21.7 | 33.3 | 47.7 |
| 30TTT [JMM] | 30 | 139.7 | 50.8 | 46 | 39.2 | 26.2 | 48.3 | 69.9 |
| 32TTT [JMM] | 32 | 144.6 | 50.8 | 46 | 41.6 | 28.6 | 49.3 | 72.3 |
| 38TTT [JMM] | 38 | 168 | 60.3 | 55 | 47.9 | 33.7 | 56.4 | 84 |