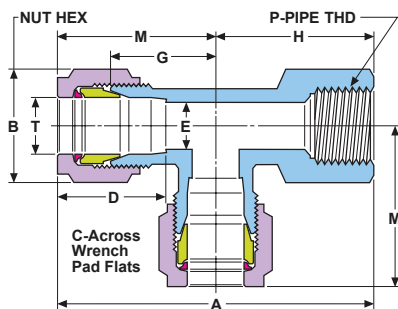


## Female Run Tee: TFT

connects fractional tube to male NPT threads



Fractional fitting shown



Part Number*	T P		Dimensions — inches							
	Tube O.D.	Pipe Size	A	Hex Flat	C	D	E min	G	H	M
1TFT1 [ ]	1/16	1/16	1.53	5/16	7/16	.41	.05	.56	.75	.78
2TFT2 [ ]	1/8	1/8	1.75	7/16	1/2	.56	.09	.69	.75	1
3TFT2 [ ]	3/16	1/8	1.81	1/2	1/2	.59	.13	.75	.75	1.06
4TFT2 [ ]	1/4	1/8	1.83	9/16	1/2	.64	.19	.75	.75	1.08
4TFT4 [ ]	1/4	1/4	2.11	9/16	11/16	.64	.19	.94	.84	1.27
6TFT4 [ ]	3/8	1/4	2.23	11/16	11/16	.72	.30	.94	.84	1.28
6TFT6 [ ]	3/8	3/8	2.30	11/16	13/16	.72	.30	1.03	.91	1.39
8TFT4 [ ]	1/2	1/4	2.41	7/8	11/16	.97	.42	.97	.97	1.44
8TFT6 [ ]	1/2	3/8	2.53	7/8	13/16	.97	.42	1.03	.91	1.50
8TFT8 [ ]	1/2	1/2	2.66	7/8	1	.97	.42	1.06	1.13	1.53
10TFT8 [ ]	5/8	1/2	2.69	1	1	1	.50	1.13	1.13	1.56
12TFT8 [ ]	3/4	1/2	2.73	1 1/8	1	1	.66	1.16	1.13	1.61
12TFT12 [ ]	3/4	3/4	2.94	1 1/8	1 1/4	1	.66	1.25	1.25	1.69
14TFT12 [ ]	7/8	3/4	2.94	1 1/4	1 1/4	1.06	.72	1.25	1.25	1.69
16TFT12 [ ]	1	3/4	3.13	1 1/2	1 1/4	1.31	.88	1.94	1.25	1.88
16TFT16 [ ]	1	1	3.56	1 1/2	1 11/16	1.31	.88	1.50	1.50	2.06

## Female Run Tee: TFT/ME

connects metric tube to male NPT threads

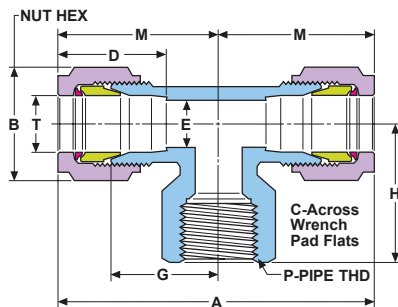
Part Number*	T S		Dimensions — mm							
	Tube O.D.	Pipe Thd.	A	Hex Flat	C	D	E min	G	H	M
3TFT2 [ ]ME	3	1/8	44.0	11.1	12.7	14.3	3.3	17.5	19.1	25.5
6TFT2 [ ]ME	6	1/8	46.5	14.3	12.7	16.3	3.8	19.1	19.1	27.4
6TFT4 [ ]ME	6	1/4	52.1	14.3	17.5	16.3	3.8	22.4	21.3	30.7
6TFT8 [ ]ME	6	1/2	63.2	14.3	25.4	16.3	3.8	26.2	28.7	34.5
10TFT2 [ ]ME	10	1/8	57.3	19.1	17.5	17.5	7.9	24.6	24.6	32.6
10TFT4 [ ]ME	10	1/4	57.3	19.1	17.5	17.5	7.9	24.6	24.6	32.6
10TFT6 [ ]ME	10	3/8	57.3	19.1	20.7	17.5	7.9	26.2	23.1	34.1
10TFT8 [ ]ME	10	1/2	63.6	19.1	25.4	17.5	7.9	26.9	28.7	34.9
12TFT4 [ ]ME	12	1/4	56.0	22.2	17.5	24.6	9.9	23.0	21.3	30.7
12TFT8 [ ]ME	12	1/2	67.5	22.2	25.4	24.6	9.9	27.0	28.6	38.9

## Female Branch Tee: TTF

connects fractional tube to male NPT threads



Fractional fitting shown



Part Number*	T P		Dimensions — inches							
	Tube O.D.	Pipe Size	A	Hex Flat	C	D	E min	G	H	M
1TTF1 [ ]	1/16	1/16	1.56	5/16	7/16	.41	.05	.56	.75	.78
2TTF2 [ ]	1/8	1/8	2	7/16	1/2	.56	.09	.69	.75	1
3TTF2 [ ]	3/16	1/8	2.13	1/2	1/2	.59	.13	.75	.75	1.06
4TTF2 [ ]	1/4	1/8	2.16	9/16	1/2	.64	.19	.75	.75	1.08
4TTF4 [ ]	1/4	1/4	2.53	9/16	11/16	.64	.19	.94	.84	1.27
6TTF4 [ ]	3/8	1/4	2.56	11/16	11/16	.72	.30	.94	.84	1.28
6TTF6 [ ]	3/8	3/8	2.78	11/16	13/16	.72	.30	1.03	.91	1.39
6TTF8 [ ]	3/8	1/2	2.47	11/16	1	.72	.30	1.06	1.13	1.41
8TTF4 [ ]	1/2	1/4	2.88	7/8	11/16	.97	.42	.97	.91	1.44
8TTF6 [ ]	1/2	3/8	3	7/8	13/16	.97	.42	1.03	.91	1.50
8TTF8 [ ]	1/2	1/2	3.06	7/8	1	.97	.42	1.06	1.13	1.53
10TTF8 [ ]	5/8	1/2	3.13	1	1	1	.50	1.13	1.13	1.56
12TTF8 [ ]	3/4	1/2	3.20	1 1/8	1	1	.66	1.16	1.13	1.61
12TTF12 [ ]	3/4	3/4	3.38	1 1/8	1 1/4	1	.66	1.25	1.25	1.69
14TTF12 [ ]	7/8	3/4	3.44	1 1/4	1 1/4	1.06	.72	1.25	1.25	1.72
16TTF12 [ ]	1	3/4	3.75	1 1/2	1 1/4	1.31	.88	1.31	1.25	1.88
16TTF16 [ ]	1	1	4.13	1 1/2	1 11/16	1.31	.88	1.50	1.50	2.06

## Female Branch Tee: TTF/ME

connects metric tube to male NPT threads

Part Number*	T P		Dimensions—mm							
	Tube O.D.	Pipe Thd.	A	Hex Flat	C	D	E min	G	H	M
3TTF2 [ ]ME	3	1/8	51.0	11.1	12.7	14.3	2.3	17.5	19.1	25.5
4TTF2 [ ]ME	4	1/8	50.7	12.7	12.7	15.1	2.3	17.5	19.1	25.4
4TTF4 [ ]ME	4	1/4	60.3	12.7	17.5	15.1	2.3	22.4	21.3	30.2
6TTF2 [ ]ME	6	1/8	54.8	14.3	12.7	16.3	3.8	19.1	19.1	27.4
6TTF4 [ ]ME	6	1/4	61.4	14.3	17.5	16.3	3.8	22.4	21.3	30.7
6TTF6 [ ]ME	6	3/8	67.5	14.3	20.7	16.3	3.8	25.4	23.1	33.8
6TTF8 [ ]ME	6	1/2	69.0	14.3	25.4	16.3	3.8	26.2	28.7	34.5
8TTF2 [ ]ME	8	1/8	55.6	15.9	12.7	16.7	5.8	19.8	19.1	27.8
8TTF4 [ ]ME	8	1/4	62.2	15.9	17.5	16.7	5.8	23.1	22.4	31.1
10TTF2 [ ]ME	10	1/8	62.2	19.1	17.5	17.5	7.9	24.6	23.1	32.6
10TTF4 [ ]ME	10	1/4	62.2	19.1	17.5	17.5	7.9	24.6	23.1	32.6
10TTF6 [ ]ME	10	3/8	68.3	19.1	20.7	17.5	7.9	26.2	23.1	34.1
10TTF8 [ ]ME	10	1/2	69.8	19.1	25.4	17.5	7.9	26.9	28.7	34.9
12TTF4 [ ]ME	12	1/4	73.0	22.2	20.7	24.6	10.0	24.6	23.1	36.6
12TTF8 [ ]ME	12	1/2	81.3	22.2	25.4	24.6	10.0	28.7	28.7	40.6
16TTF8 [ ]ME	16	1/2	81.7	25.4	25.4	25.0	12.7	29.7	28.7	40.9