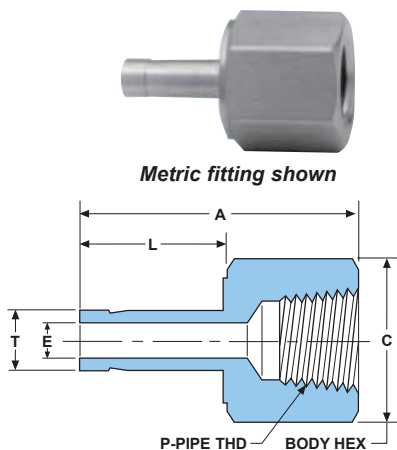


Female Adapter: AF

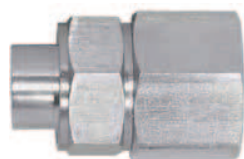
connects **fractional** port to male NPT thread

Part Number*	T Tube O.D.	P Pipe Size	Dimensions — inches				
			A	C Hex Flat	E min.	G Hex Flat	L
2AF2 []	1/8	1/8	1.14	9/16	.09	—	.63
2AF4 []	1/8	1/4	1.31	3/4	.09	—	.63
3AF2 []	3/16	1/8	1.25	9/16	.13	—	.66
3AF4 []	3/16	1/4	1.41	3/4	.13	—	.66
4AF2 []	1/4	1/8	1.22	9/16	.19	—	.69
4AF4 []	1/4	1/4	1.41	3/4	.19	—	.69
4AF6 []	1/4	3/8	1.44	7/8	.19	—	.69
4AF8 []	1/4	1/2	1.63	1 1/16	.19	—	.69
6AF2 []	3/8	1/8	1.31	9/16	.28	—	.78
6AF4 []	3/8	1/4	1.50	3/4	.28	—	.78
6AF6 []	3/8	3/8	1.53	7/8	.28	—	.78
6AF8 []	3/8	1/2	1.72	1 1/16	.28	—	.78
8AF4 []	1/2	1/4	1.69	3/4	.39	—	.97
8AF6 []	1/2	3/8	1.72	7/8	.39	—	.97
8AF8 []	1/2	1/2	1.91	1 1/16	.39	—	.97
10AF6 []	5/8	3/8	1.81	7/8	.50	—	1.08
10AF8 []	5/8	1/2	2	1 1/16	.50	—	1.08
10AF12 []	5/8	3/4	2.09	1 1/4	.50	—	1.08
12AF8 []	3/4	1/2	2.06	1 1/16	.59	—	1.13
12AF12 []	3/4	3/4	2.13	1 1/4	.59	—	1.13
12AF16 []	3/4	1	2.44	1 5/8	.59	—	1.13
14AF12 []	7/8	3/4	2.19	1 1/4	.69	—	1.19
16AF8 []	1	1/2	2.28	1 1/16	.80	—	1.38
16AF12 []	1	3/4	2.38	1 1/4	.80	—	1.38
16AF16 []	1	1	2.63	1 5/8	.80	—	1.38
20AF20 []	1 1/4	1 1/4	3.06	2 1/8	1.09	1 7/8	—
24AF24 []	1 1/2	1 1/2	3.50	2 3/8	1.31	2	—
32AF32 []	2	2	4.53	2 7/8	1.75	3	—

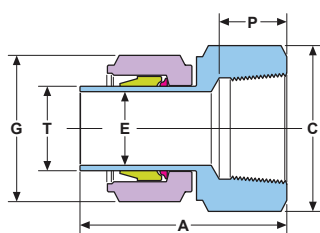


Metric fitting shown

P-PIPE THD BODY HEX



20AF20 [] shown



Over 1 inch and over 25 mm Female Adapters feature pre-set ferrules. Use the HOKE Gyrolok remake instructions, page 53.

Female Adapter: AF/ME

connects **metric** port to male NPT thread

Part Number*	T Tube O.D.	P Pipe Size	Dimensions — mm			
			A	C Hex Flat	E min.	L
3AF2 []ME	3	1/8	28.8	14.3	2.1	15.9
3AF4 []ME	3	1/4	33.3	19.1	2.1	15.9
6AF2 []ME	6	1/8	30.9	14.3	4.4	17.3
6AF4 []ME	6	1/4	35.7	19.1	4.4	17.3
6AF6 []ME	6	3/8	36.5	22.2	4.4	17.3
6AF8 []ME	6	1/2	41.3	27.0	4.4	17.3
8AF2 []ME	8	1/8	32.8	14.3	6.2	19.1
8AF4 []ME	8	1/4	37.5	19.1	6.2	19.1
8AF6 []ME	8	3/8	40.4	22.2	6.2	19.1
8AF8 []ME	8	1/2	43.9	27.0	6.2	19.1
10AF2 []ME	10	1/8	33.3	14.3	7.5	19.8
10AF4 []ME	10	1/4	38.1	19.1	7.5	19.8
10AF6 []ME	10	3/8	38.9	22.2	7.5	19.8
10AF8 []ME	10	1/2	43.7	27.0	7.5	19.8
12AF4 []ME	12	1/4	42.9	19.1	9.1	24.5
12AF6 []ME	12	3/8	44.7	22.2	9.1	24.5
12AF8 []ME	12	1/2	48.4	27.0	9.1	24.5
12AF12 []ME	12	3/4	53.3	31.8	9.1	24.5
14AF4 []ME	14	1/4	43.0	19.1	10.2	24.5
14AF8 []ME	14	1/2	47.5	27.0	11.0	24.5
15AF8 []ME	15	1/2	48.4	27.0	11.9	24.5
16AF6 []ME	16	3/8	46.0	22.2	12.6	27.3
16AF8 []ME	16	1/2	50.8	27.0	12.6	27.3
16AF12 []ME	16	3/4	53.0	31.8	12.6	27.3
18AF6 []ME	18	3/8	49.0	22.2	13.8	28.2
18AF8 []ME	18	1/2	51.8	27.0	13.8	28.2
18AF12 []ME	18	3/4	56.0	31.8	13.8	28.2
20AF8 []ME	20	1/2	57.2	27.0	15.1	33.4
20AF12 []ME	20	3/4	58.7	31.8	15.1	33.4
22AF8 []ME	22	1/2	54.0	27.0	15.8	30.0
22AF12 []ME	22	3/4	56.0	31.8	15.8	30.0
25AF8 []ME	25	1/2	60.0	27.0	19.3	35.5
25AF12 []ME	25	3/4	61.7	31.8	19.3	35.5
25AF16 []ME	25	1	67.2	41.3	19.5	35.5