

Port Connector: PC

connects two fractional ports

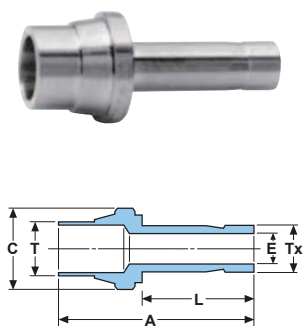
Part Number*	T Tube O.D.	Dimensions — inches			
		A	C	E min.	L
1PC []	1/16	.73	.13	.03	.55
2PC []	1/8	1	.25	.06	.63
4PC []	1/4	1.16	.38	.13	.78
6PC []	3/8	1.31	.50	.25	.86
8PC []	1/2	2	.69	.33	1.30
12PC []	3/4	1.83	.94	.53	1.13

Port Connector: PC/MM

connects two metric ports

Part Number*	T Tube O.D.	Dimensions — mm			
		A	C	E min.	L
3PC []MM	3	28.0	6.5	2.0	18.1
6PC []MM	6	29.5	9.3	4.4	19.6
8PC []MM	8	29.3	11.2	6.4	19.1
10PC []MM	10	33.2	13.2	7.5	21.7
12PC []MM	12	50.7	17.5	9.2	33.0
14PC []MM	14	40.7	19.1	11.1	24.5
15PC []MM	15	44.5	19.1	11.9	28.6
16PC []MM	16	53.0	20.7	12.7	34.3
18PC []MM	18	52.0	24.0	16.0	30.0
20PC []MM	20	60.6	27.0	15.1	38.1
22PC []MM	22	56.0	27.5	18.0	31.0
25PC []MM	25	60.0	32.0	22.0	38.0

HOKE Gyrolok ended ball valve using port connector for close connection to another port.



Reducing Port Connector: PC

connects two fractional ports

Part Number*	T Tube O.D.	Tx Reduced Tube O.D.	Dimensions — inches			
			A	C	E min.	L
2PC1 []	1/8	1/16	.84	.25	.03	.47
4PC1 []	1/4	1/16	.95	.38	.03	.56
4PC2 []	1/4	1/8	1.06	.38	.06	.66
6PC2 []	3/8	1/8	1.16	.50	.09	.70
6PC4 []	3/8	1/4	1.22	.50	.13	.78
8PC4 []	1/2	1/4	1.47	.69	.13	.77
8PC6 []	1/2	3/8	1.55	.69	.25	.83
12PC8 []	3/4	1/2	2	.94	.33	1.14

Reducing Port Connector: PC/MM

connects two metric ports

Part Number*	T Tube O.D.	Tx Reduced Tube O.D.	Dimensions — mm			
			A	C	E min.	L
6PC3 []MM	6	3	28.1	9.3	2.1	18.1
8PC6 []MM	8	6	29.4	11.2	4.4	19.2
10PC6 []MM	10	6	31.1	13.2	4.4	19.7
10PC8 []MM	10	8	31.5	13.2	6.4	20.0
12PC6 []MM	12	6	43.5	17.5	4.4	25.8
12PC8 []MM	12	8	44.0	17.5	6.4	21.0
12PC10 []MM	12	10	44.0	17.5	7.5	21.5
16PC12 []MM	16	12	52.0	20.7	9.2	27.0
18PC16 []MM	18	16	52.0	24.0	12.7	31.0
22PC18 []MM	22	18	55.0	27.5	16.0	30.0
25PC18 []MM	25	18	59.0	32.0	16.0	30.0

Installation Instructions

(For Port Connector and Reducing Port Connector):

1. Firmly insert machined ferrule end into fitting body.
2. Place nut only (no ferrules) over the machined ferrule. Finger-tighten.
3. Using wrench, turn nut until sharp rise in torque is felt. Snug tight. (Do not tighten 1 1/4 turns. No ferrules to set.)
4. Insert tube stub end into HOKE Gyrolok assembly. Follow standard HOKE Gyrolok assembly instructions, page 53.