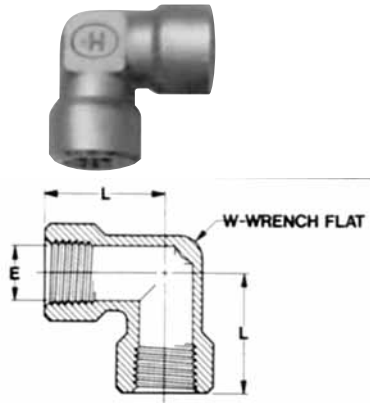
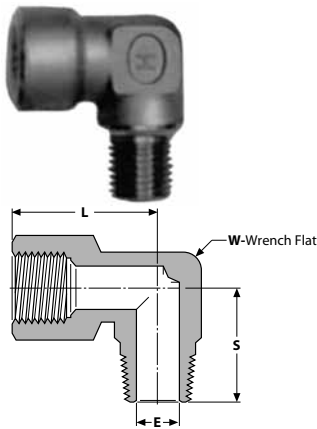


Precision Instrument Pipe Fittings



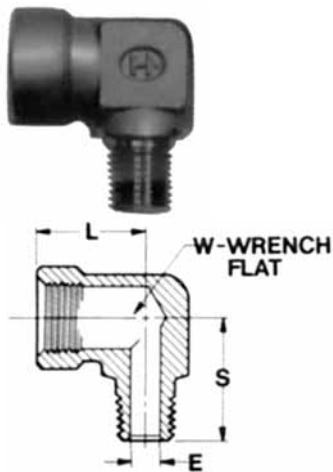
FLP Female Elbow (female NPT both ends)

ORDER BY PART NUMBER	PIPE SIZE	DIMENSIONS			WORKING PRESSURE (PSIG)	
	FEMALE	L	E MIN	W	BRASS	316SS
2FLP - []	1/8	3/4	11/32	1/2	3600	5600
4FLP - []	1/4	27/32	7/16	11/16	2900	4600
6FLP - []	3/8	1	37/64	13/16	2300	3700
8FLP - []	1/2	1 1/8	23/32	1	2200	3500
12FLP - []	3/4	1 1/4	59/64	1 1/4	2200	3400



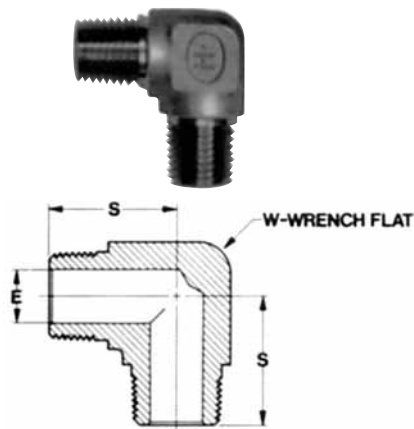
SLP Street Elbow (female to male NPT)

ORDER BY PART NUMBER	PIPE SIZE	DIMENSIONS				WORKING PRESSURE (PSIG)	
	FEMALE	L	S	E MIN	W	BRASS	316SS
1SLP - []	1/16	3/4	23/32	1/8	7/16	5000	7900
2SLP - []	1/8	3/4	25/32	3/16	1/2	3600	5600
4SLP - []	1/4	27/32	1 1/8	9/32	11/16	2900	4600
6SLP - []	3/8	1	1 1/4	3/8	13/16	2300	3700
8SLP - []	1/2	1 1/8	1 11/32	15/32	1	2200	3500
12SLP - []	3/4	1 7/16	1 1/2	5/8	1 1/4	2200	3400



RSLP Reducing Street Elbow (female NPT reduced male NPT)

ORDER BY PART NUMBER	PIPE SIZE		DIMENSIONS				WORKING PRESSURE (PSIG)	
	FEMALE	REDUCED FEMALE	L	S	E MIN	W	BRASS	316SS
6RSLP4 - []	3/8	1/4	1	1 1/8	9/32	13/16	2300	3700
8RSLP4 - []	1/2	1/4	1 1/4	1 1/8	9/32	1	2200	3500
8RSLP6 - []	1/2	3/8	1 1/2	1 5/32	13/32	1	3600	5600



MLP Male Elbow (male NPT both ends)

ORDER BY PART NUMBER	PIPE SIZE	DIMENSIONS			WORKING PRESSURE (PSIG)	
	MALE	S	E MIN	W	BRASS	316SS
2MLP - []	1/8	23/32	3/16	7/16	6200	9700
4MLP - []	1/4	61/64	9/32	11/16	5000	7800
6MLP - []	3/8	1	3/8	11/16	4800	7500
8MLP - []	1/2	13/16	15/32	1	4700	7400
12MLP - []	3/4	1 1/2	5/8	1 1/4	4400	6900